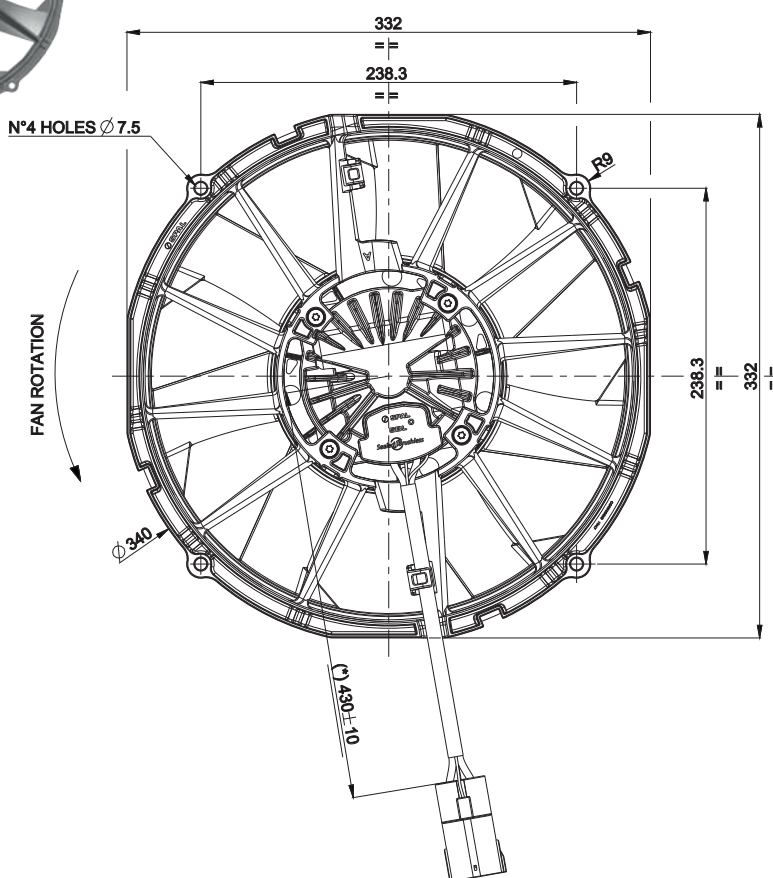


Ø 305 mm  
Ø 12"

### VA113-BBL504P/N-94A

#### Technical Data

All dimensions are expressed in mm. Use M6 screws for fixing – nominal tightening torque 4 Nm  
Motors certified **IP6K9K** and **IP68**



#### Connector: YAZAKI HYBRID (USCAR-2 compliant) - Part number: 7282-8497-90

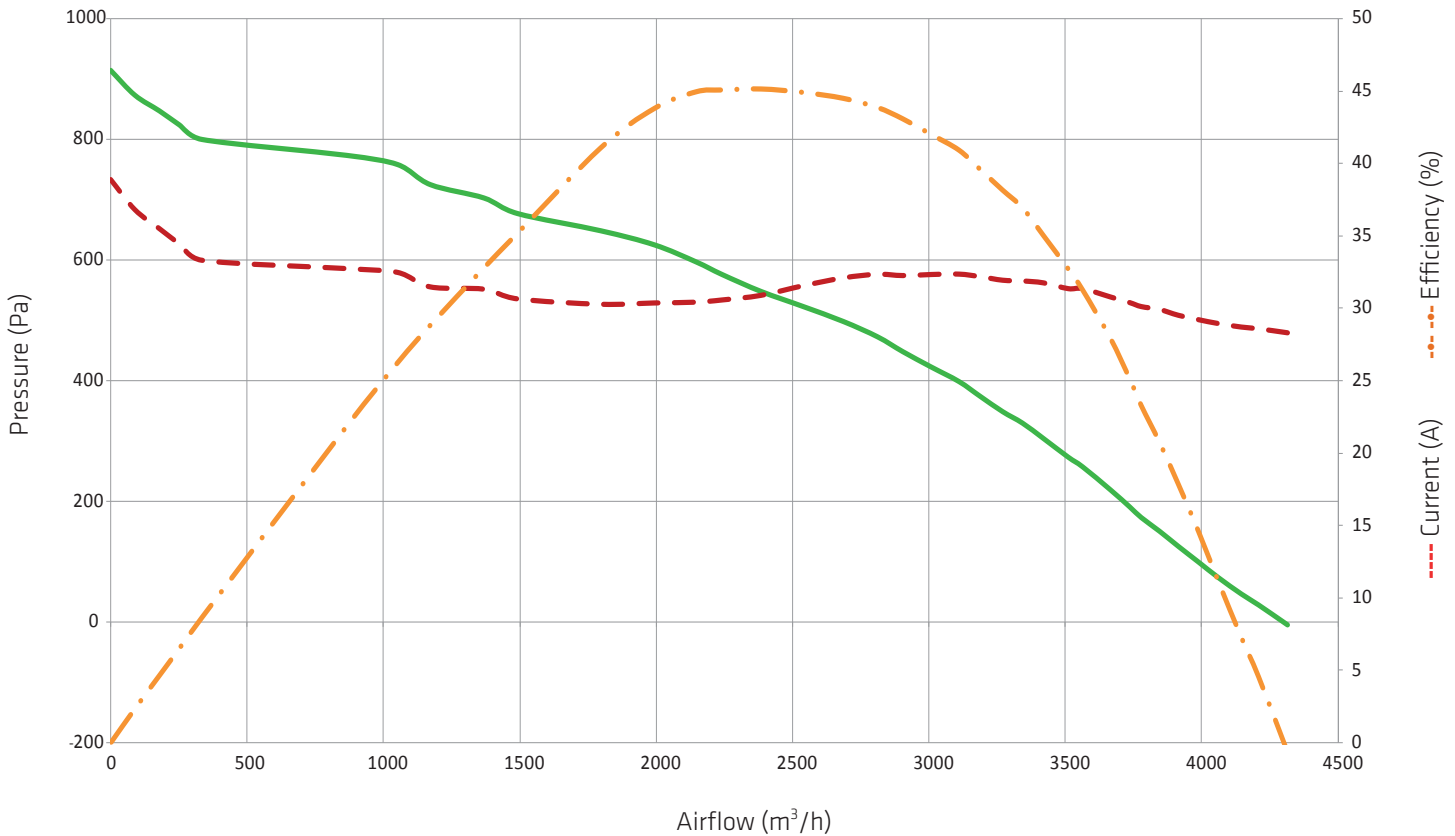
	Identification	+	-	A	PWM* / E*
	Pin number	1	2	3	4
	Wire Color	RED	BLACK	YELLOW	WHITE
	Sealing p/n	7158-3035	7158-3035	7158-3030-50	7158-3030-50
	Pin p/n	7114-3250	7114-3250	7114-4102-02	7114-4102-02
	Section [mm²]	6.0	6.0	0.5	0.5

**NOTE: YAZAKI connector counterpart available upon request (see page 63)**

# VA113-BBL504P/N-94A

Ø 305 mm  
Ø 12"

## Performance Curve



Pressure: 1Pa=0.004 inH<sub>2</sub>O

Airflow: 1m<sup>3</sup>/h=0.59 cfm

Features		
Max fan speed	rpm	4750
Min fan speed	rpm	1200
Sound pressure level	dBA	85.6 - at 1 m ± 0.005 m from the fan module- lateral side
Weight	Kg	2.6
Operating supply voltage range	V	16.0 .. 32.0 at the Drive Connector
Supply voltage to reach max speed	V	26.0 .. 32.0 at the Drive Connector
Operating ambient temperature range	°C	-40 .. +110
Speed derating threshold	°C	+65 (*)
Storage temperature range	°C	-40 .. +125
Lifetime	h	up to 40000 hours depending on mission profile
Time from 0 rpm to max speed	s	10
Load dump protection (Pulse 5b)	V	65 - Pulse peak voltage (U <sub>s</sub> *) - ISO16750-2:2010
Reverse polarity protection		ISO 16750-1 functional status class C - device fully functional after correcting the polarity

Notes (\*): Few minutes ambient temperature transients do not engage the derating owing to the thermal inertia of the system. Overloads may anticipate derating.